



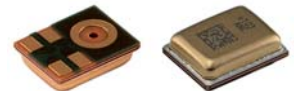
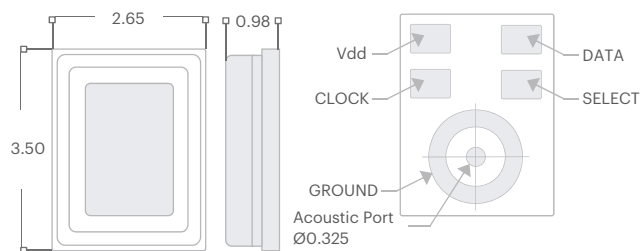
SPH9855 - High Performance Digital Automotive Microphone

PRODUCT OVERVIEW

- ▶ AEC-Q100/103 Qualified for Automotive Robustness
- ▶ High Dynamic Range (66dB SNR, 132.5dB AOP) for high-quality voice pick-up
- ▶ Ultrasonic frequency response for proximity detection
- ▶ ± 1 dB sensitivity matching, with an option to upgrade to ± 0.5 dB matching, for enhanced beamforming performance
- ▶ 2-D Barcode for traceability

Key Parameters	Normal Mode	Low Power Mode
Signal-to-noise ratio (SNR)	66 dB(A)	64.5 dB(A)
Acoustic Overload Point (1% / 10% THD)	130.5 / 132.5 dB SPL	113 / 116 dB SPL
Low Frequency Roll Off (LFRO)	25 Hz	
Current consumption	1000 μ A	260 μ A
Sensitivity and Tolerance	-37 \pm 1 dB FS / Pa	-21 \pm 1 dB FS / Pa
Supply voltage	1.65 to 3.6V	
Interface	PDM Digital	
Clock Rates Supported	1.1 to 4.8 MHz	500 to 900 kHz
Port location	Bottom Port	
Package dimensions	3.50 x 2.65 x 0.98 mm	
Operational Temperature Range	-40° to +100°C	

DIMENSIONS (MM)

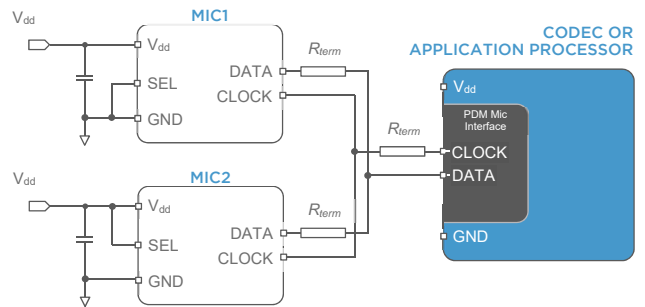


TYPICAL APPLICATIONS

- ▶ Active Noise Cancellation
- ▶ Voice Call / ECall
- ▶ Proximity Detection

APPLICATION NOTES

TYPICAL STEREO MODE APPLICATION CIRCUIT



Note: The above block diagram is for illustrative purposes only. For additional information, refer to the microphone datasheet.

CONTACT

For inquiries, please contact your nearest Knowles representative, or Knowles at: sales@knowles.com

DISCLAIMER

The information given in this document shall in no event be regarded as a guarantee of conditions or characteristics. With respect to any examples given herein, any typical values stated herein and/or any information regarding the application of the device, Knowles Electronics, LLC hereby disclaims any and all warranties and liabilities of any kind, including without limitation warranties of non-infringement of intellectual property rights of any third party.

INFORMATION

For further information on technology, delivery terms and conditions and prices, please contact a Knowles representative.

© 2021, Knowles Electronics, LLC, Itasca, IL USA. All Rights Reserved. Knowles and the logo are trademarks of Knowles Electronics, LLC.

